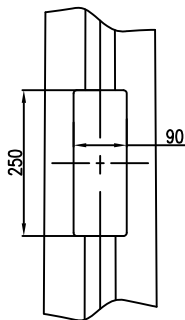
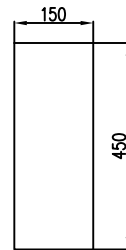


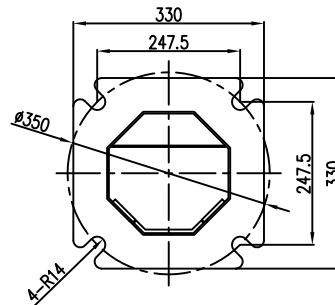
SPIGOT DETAIL



DOOR DETAIL




INTERNAL MOUNTING  
PLATE DETAIL



BASEPLATE FOR 4-M24@350 PCD RAGBOLTS

**NOTES:**

1. POLES DESIGNED IN ACCORDANCE WITH BCA, AS4100:1998, AS/NZS 1170.2 2002, AS 1798:1992, AS/NZS 4676:2000, AS/NZS 4677:2000.
2. HOT ROLLED STEEL FLAT PRODUCTS TO CONFORM TO AS 1594
3. HOT ROLLED STEEL BARS AND SECTIONS TO CONFORM TO AS 3679
4. WELDING OF STEEL STRUCTURES TO CONFORM TO AS/NZS 1554.1:2004
5. ALL STEEL ITEMS TO BE FULLY HOT DIP GALVANISED AFTER FABRICATION TO AS/NZS 4680:2006.
6. HOT ROLLED STEEL PLATES TO CONFORM TO AS3678.
7. ALL DIMENSION ARE IN MILLIMETRES

Customer/Project	Catalogue.no	
Title	T12-89/2S	
12m - Tapered Octagonal Steelmax Pole with access door and mounting spigot	drg. no.	5 Rose St, CAMPBELLTOWN NSW, 2560. PH: (02)4627 6500 FAX: (02)4627 6533 EMAIL: Eng@ipoles.com.au
LAST UPDATED	21/11/16	
Drawn by	LQ	
Checked by	J.BONNELL	
	T12-89/2S-GA	