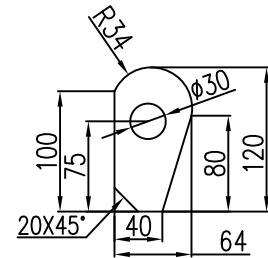
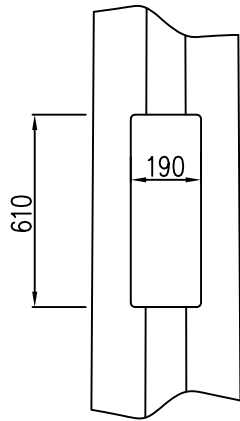


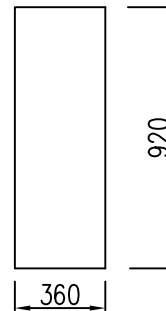
TOP DETAIL



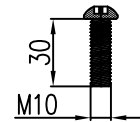
LIFTING LUG DETAIL



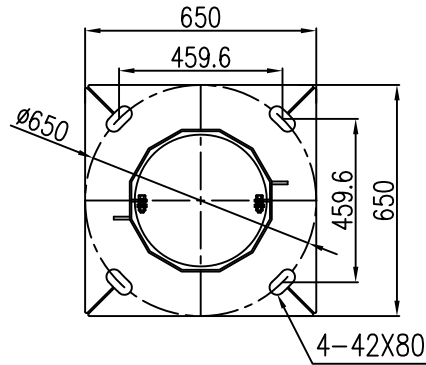
DOOR DETAIL



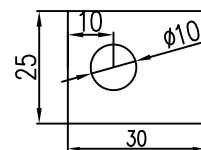
INTERNAL MOUNTING PLATE DETAIL



SERVICE DOOR



Baseplate for M36X4@650 PCD Ragbolts



EARTHING LUG DETAIL

**NOTES:**

1. POLES DESIGNED IN ACCORDANCE WITH BCA, AS4100:1998, AS/NZS 1170.2 2002, AS 1798:1992, AS/NZS 4676:2000, AS/NZS 4677:2000.
2. HOT ROLLED STEEL FLAT PRODUCTS TO CONFORM TO AS 1594
3. HOT ROLLED STEEL BARS AND SECTIONS TO CONFORM TO AS 3679
4. WELDING OF STEEL STRUCTURES TO CONFORM TO AS/NZS 1554.1:2004
5. ALL STEEL ITEMS TO BE FULLY HOT DIP GALVANISED AFTER FABRICATION TO AS/NZS 4680:2006.
6. HOT ROLLED STEEL PLATES TO CONFORM TO AS3678.
7. ALL DIMENSION ARE IN MILLIMETRES

Customer/Project

Title

25m - STEELMAX light duty sports pole.  
Complete with 89mm OD top spigot and  
access doors (2x). Finished Galvanised.

Catalogue.no

HS-25L-89

LAST UPDATED

22/01/19

Drawn by  
Checked by

LQ  
J. BONNELL

drg. no.

HS-25L-89-GA



**INTERNATIONAL  
POLES**

5 Rose St,  
CAMPBELLTOWN NSW, 2560.  
PH: (02)4627 6500  
FAX: (02)4627 6533  
EMAIL: Eng@ipoles.com.au