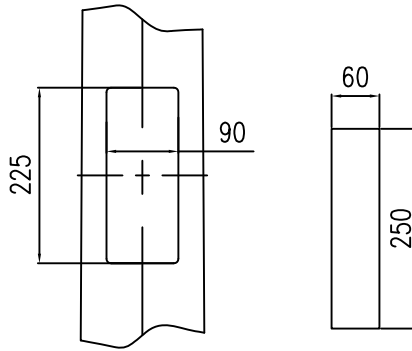
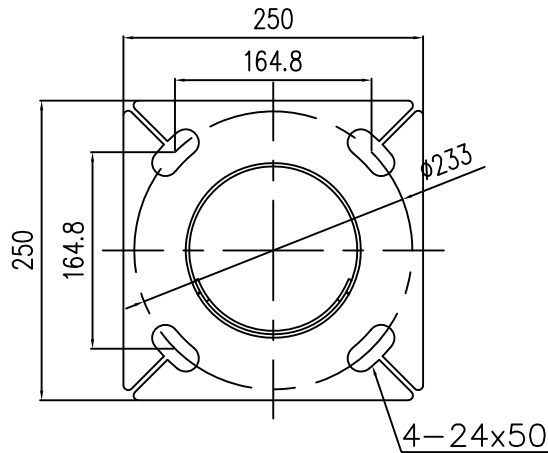


SPIGOT DETAIL




DOOR DETAIL INTERNAL MOUNTING  
PLATE DETAIL



BASEPLATE FOR 4-M20@233PCD RAGBOLTS

**NOTES:**

1. POLES DESIGNED IN ACCORDANCE WITH BCA, AS4100:1998, AS/NZS 1170.2 2002, AS 1798:1992, AS/NZS 4676:2000, AS/NZS 4677:2000.
2. HOT ROLLED STEEL FLAT PRODUCTS TO CONFORM TO AS 1594
3. HOT ROLLED STEEL BARS AND SECTIONS TO CONFORM TO AS 3679
4. WELDING OF STEEL STRUCTURES TO CONFORM TO AS/NZS 1554.1:2004
5. ALL STEEL ITEMS TO BE FULLY HOT DIP GALVANISED AFTER FABRICATION TO AS/NZS 4680: 2006.
6. HOT ROLLED STEEL PLATES TO CONFORM TO AS3678.
7. ALL DIMENSION ARE IN MILLIMETRES

Customer/Project	Catalogue.no	
Title	R6-60	
LAST UPDATED	drg. no.	5 Rose St, CAMPBELLTOWN NSW, 2560. PH: (02)4627 6500 FAX: (02)4627 6533 EMAIL: Eng@ipoles.com.au
Drawn by	R6-60-GA	
Checked by		

6m Tapered round Steelmax lighting pole.  
Complete with access door and 60mm OD  
mounting spigot.

03/12/16

Drawn by LQ  
Checked by J. BONNELL