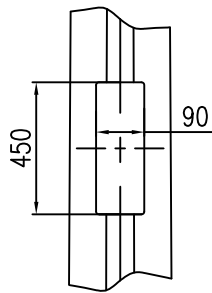


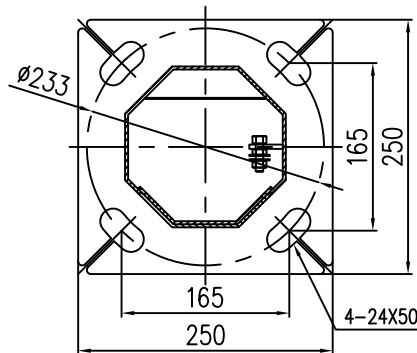
SPIGOT DETAIL



DOOR DETAIL



INTERNAL MOUNTING PLATE DETAIL



BASEPLATE FOR 4-M20@233 PCD RAGBOLTS

**NOTES:**

1. POLES DESIGNED IN ACCORDANCE WITH BCA, AS4100:1998, AS/NZS 1170.2 2002, AS 1798:1992, AS/NZS 4676:2000, AS/NZS 4677:2000.
2. HOT ROLLED STEEL FLAT PRODUCTS TO CONFORM TO AS 1594
3. HOT ROLLED STEEL BARS AND SECTIONS TO CONFORM TO AS 3679
4. WELDING OF STEEL STRUCTURES TO CONFORM TO AS/NZS 1554.1:2004
5. ALL STEEL ITEMS TO BE FULLY HOT DIP GALVANISED AFTER FABRICATION TO AS/NZS 4680:2006.
6. HOT ROLLED STEEL PLATES TO CONFORM TO AS3678.
7. ALL DIMENSION ARE IN MILLIMETRES

Customer/Project

Catalogue.no



**INTERNATIONAL  
POLES**

Title

8m Tapered octagonal fixed pole  
Complete with 60mm OD spigot & access  
door \*TL SteelMax Range\*

TL-8-60

LAST UPDATED

15/11/17

drg. no.

TL-8-60-GA

Drawn by  
Checked by

LQ  
J. BONNELL

5 Rose St,  
CAMPBELLTOWN NSW, 2560.  
PH: (02)4627 6500  
FAX: (02)4627 6533  
EMAIL: Eng@ipoles.com.au