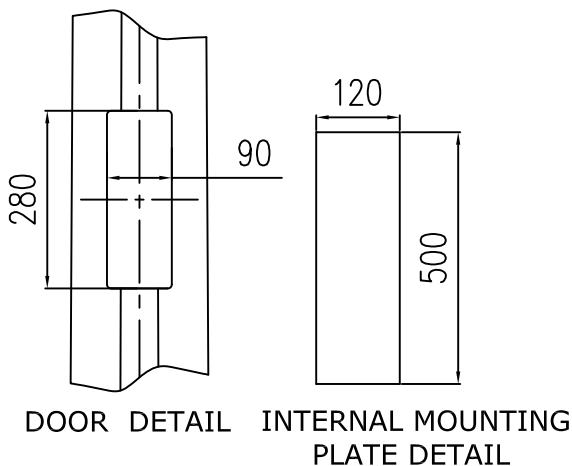
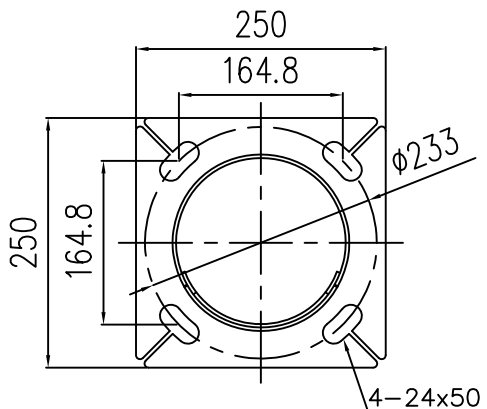


SPIGOT DETAIL



DOOR DETAIL INTERNAL MOUNTING PLATE DETAIL



BASEPLATE FOR 4-M20@233PCD RAGBOLTS

NOTES:

1. POLES DESIGNED IN ACCORDANCE WITH BCA, AS4100:1998, AS/NZS 1170.2 2002, AS 1798:1992, AS/NZS 4676:2000, AS/NZS 4677:2000.
2. HOT ROLLED STEEL FLAT PRODUCTS TO CONFORM TO AS 1594
3. HOT ROLLED STEEL BARS AND SECTIONS TO CONFORM TO AS 3679
4. WELDING OF STEEL STRUCTURES TO CONFORM TO AS/NZS 1554.1:2004
5. ALL STEEL ITEMS TO BE FULLY HOT DIP GALVANISED AFTER FABRICATION TO AS/NZS 4680: 2006.
6. HOT ROLLED STEEL PLATES TO CONFORM TO AS3678.
7. ALL DIMENSION ARE IN MILLIMETRES

Customer/Project

Title

8m – Tapered Round HS commercial area lighting pole, Complete with access door (x1), 60mm top section spigot and finish Galvanised.

Catalogue.no

R8-60

drg. no.

R8-60-GA



**INTERNATIONAL
POLES**

5 Rose St,
CAMPBELLTOWN NSW, 2560.
PH: (02)4627 6500
FAX: (02)4627 6533
EMAIL: Eng@ipoles.com.au

LAST UPDATED

12/08/17

Drawn by
Checked by

LQ
J. BONNELL