

SPOTTY

LED TWINSPOOT

NON-MAINTAINED EMERGENCY LIGHT

This low-glare LED emergency spot light provides a dependable source of emergency lighting using efficient LEDs and a high transmission acrylic lens in a simple yet functional form factor.

It provides brilliant illumination during an emergency and is designed to provide reliable emergency lighting in indoor areas where it is not possible to mount conventional emergency luminaires such as stairwells, loading docks, factories and assembly points.

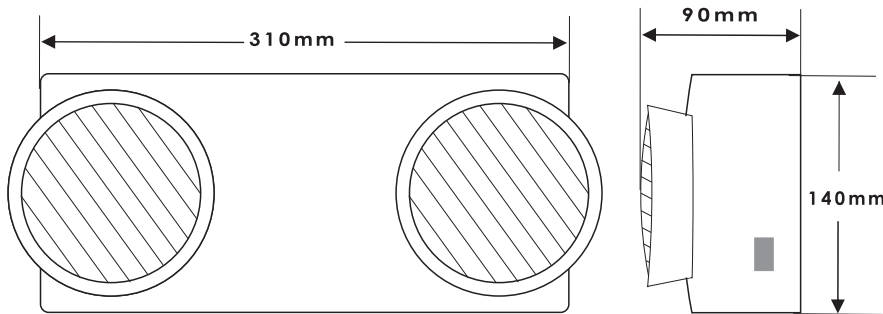


Technical Specifications

Item	Part Number	EME-SPOT
	Description	2 x 2W LED Emergency Twinspot c/w High Temperature NiCd Battery
Input	Operating Voltage & Frequency	240VAC ; 50Hz
	Installation	Large terminal block, 20mm ² cable entry
Output	Light Source	2 x 2W 5000K LED
	Mode of Operation	Non-Maintained
	Power Consumption	3W (standby)
	Emergency Duration	> 120 minutes
Controls	Charger	1 6hr Boost & trickle dual rate charge
	Protection	Overcharge, low voltage disconnect, overcurrent
	Testing Facility	Manual test switch
	Indicators	Battery charging Red LED
Physical	Construction	Chassis: Flame-retardant polycarbonate, Lens: acrylic
	Mounting	Surface mounted, wall
	IP Rating	IP20
	Weight	2.0kg
Environment	Operating Temperature	1° to 40°C
	Relative Humidity	0 to 95%
Compliance	Standards	RCM / EMC, AS/NZS 2293, AS/NZS 60598.1
	AS/NZS 2293 Classification	N/A due to rotatable lamps, refer to photometrics below
Replacement Parts	Battery	6.0V 2200mAh high temperature rechargeable nickel cadmium battery

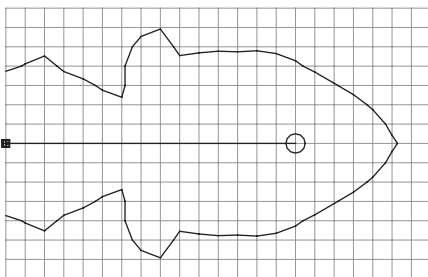
NOTE: Product specifications subject to change without prior notice due to ongoing product improvement policy and changes to industry standards.

Dimensions

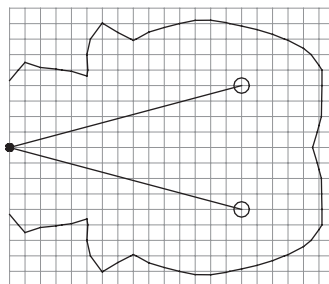


Photometrics

The photometric data below is calculated at a mounting height of 3 metres. Lamps must be positioned as per the drawing below:



1x2W head approx. 150m² of emergency light @ 0.2 lux. min.



2x2W head approx. 270m² of emergency light @ 0.2 lux. min.

DISTRIBUTED BY:

